

## Solderless USB over CAT5e, Cat 6 Keystone Kit

PART NUMBER: CN-USBA-FKY-BK

Screw terminals



### USB Type 'A' Connectors

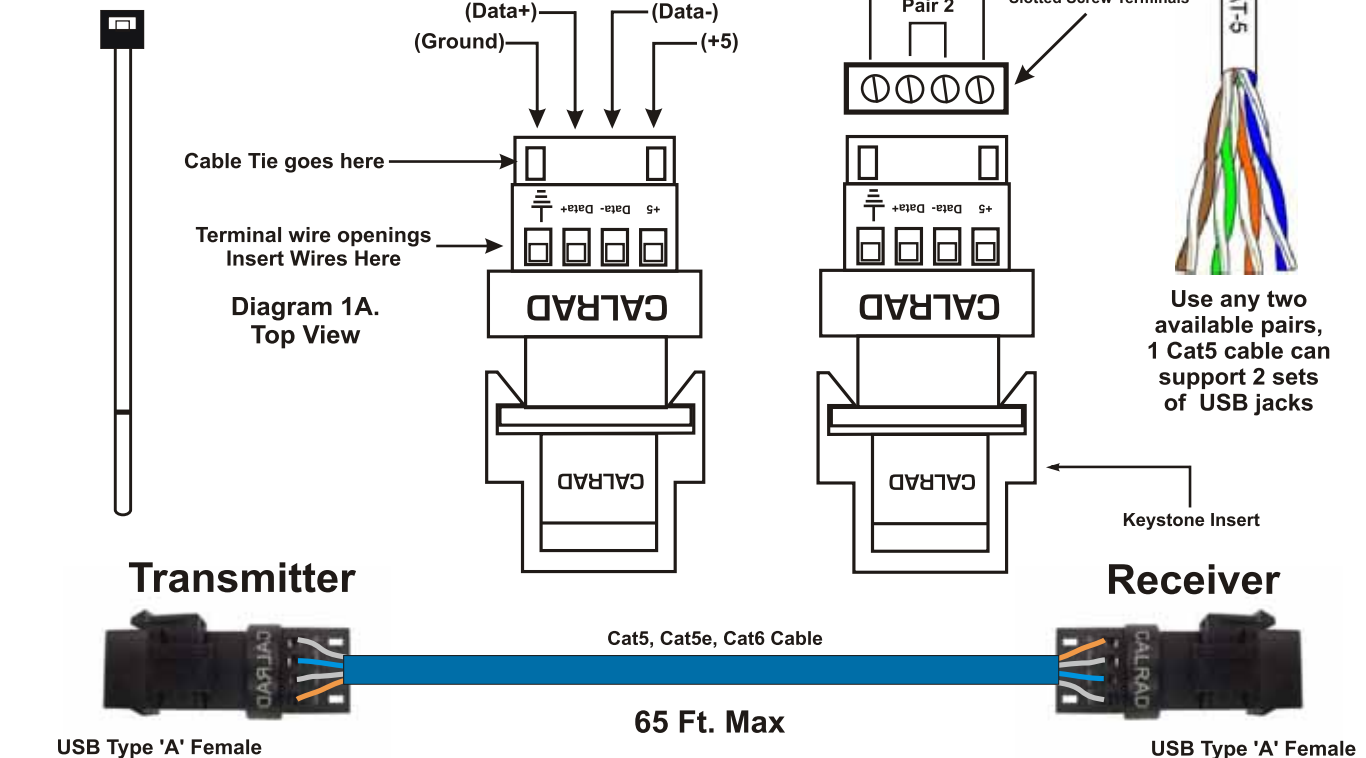
Calrads bi-directional passive UTP Cat5e, Cat6 USB adapters are perfect for low power low-speed USB devices like touch screens, printers, RF dongles, media storage devices. Easy to install cable using a cable stripper, slotted screw driver. Mounts in a standard keystone wall plate or can be used as a stand alone solution. Supports 1.1 and 2.0 devices, some 2.0 devices will work up to the 65 ft. and others will not and will be limited to 1.1 specifications. Use standard type 'A' to 'A' cables for connecting the transmitter and receiver, the cables should be as short as possible 1-3', if you use 6' cables on each side then they should be considered in the overall distance calculations.

### FEATURES:

- Terminal Set Screw: Slotted Head
- Exceeds Wire Size:
- Works with USB type 1.1, 2.0 devices
- Insulation resistance: 500M ohms or more @ 500V
- Insertion Loss: <.5db
- Connector Type: 4 Pin Gold Female USB Type A Jack
- Distance between connectors 65 ft. maximum (Based on Solid UTP cable)
- Color: Black, Mounting Depth 1.93"

Copper  
Work Stations

2 x 4" Black  
Cable Ties Included



comCables  
comSpecs